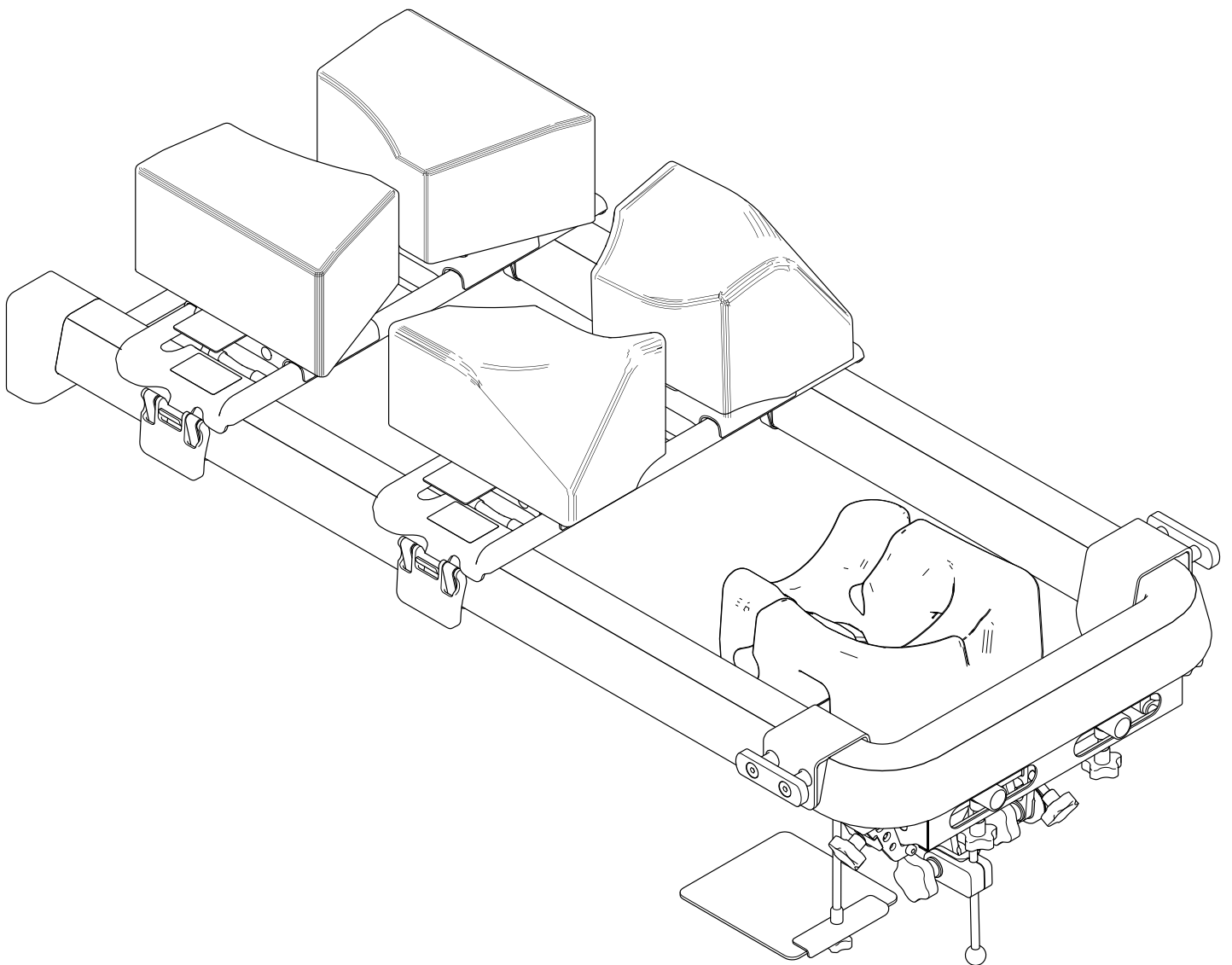


# schaerer® Carbon Spine Frame



UNLIMITED MOBILITY AND ACCESSABILITY  
FOR SPINE SURGERY



# schaerer® Carbon Spine Frame (CSF)

The schaeerer® Carbon Spine Frame (CSF) is an innovative solution for patient positioning in spine surgery. The four-post positioners distribute the weight to the chest and pelvic area, which enables free abdomen.

In combination with a schaeerer® axis or arcus operating table the system gets its unique cantilever design, which permits an unlimited access for staff and equipment, such as C-arms. Furthermore, the design allows the transportation of the patient and intraoperative adjustments of the patient position.

## The benefits at a glance

- Perioperative motorized table top adjustments
- Access for anesthesia staff, equipment and C-arms
- Individual adjustments for free abdomen
- Large 3D X-ray window
- Supports ergonomic working



## Four-post positioners

**Individual adjustment** of lateral position and angulation of the pads by one-touch release. Adaptation for tall patients by longitudinal adjustment of the pad holders. The anatomically shaped visco elastic pads for male and female patients provides



*Longitudinal and lateral adjustment of the four-post positioners*

solid support during surgery and enables free abdomen. With a maximal patient weight capacity of 240 kg/529 lbs (schaerer® arcus), the schaeerer® Carbon Spine Frame can also be used in obese patients.



*Angulation of the four-post positioners*

## Perioperative motorized table top adjustments

The schaeerer® Carbon Spine Frame does not require a floor support. The table top can be moved while the patient is positioned on the frame without adjusting any floor support. The **motorized**

**joint** (↷) moves the table top to a flex or reflex position, even during surgery. The **low minimum height** provides an ergonomic working position for the surgeon and best access to the patient.



*Table top in reflex position.*



*Table top in flex position.*

## Access for anesthesia and C-arms

Another advantage of the **schaerer**<sup>®</sup> Carbon Spine Frame is the unlimited access for the anesthesia and C-arms. A transparent head plate and flexible mirror ensures visibility to the head of the patient at all times.

The head rest clamp allows to connect **DORO**<sup>®</sup> and **MAYFIELD**<sup>®</sup> accessories.



## Large X-ray window

The **schaerer**<sup>®</sup> Carbon Spine Frame is completely radio transparent in a range of 805 mm/31.7 inch. It offers access for even two C-arms at the same time for AP and ML X-ray.



## Patient transportation

Thanks to the unique design of the **schaerer**<sup>®</sup> Carbon Spine Frame, the positioned patient can be transported from the preparation area to the operating room.

*schaerer*<sup>®</sup> axis mobile operating table with *schaerer*<sup>®</sup> Carbon Spine Frame

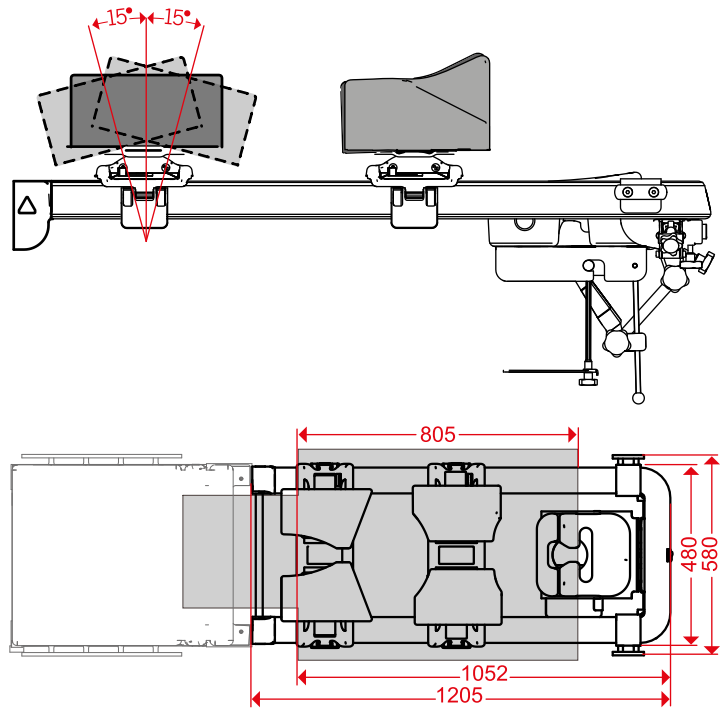
## System Overview

### Technical data

Weight head rest clamp	6.3 kg/13.89 lbs
Weight carbon frame	6.2 kg/13.66 lbs
Patientengewichtskapazität	
schaerer <sup>®</sup> axis 500/700/7300	200 kg/441 lbs
schaerer <sup>®</sup> arcus 501/701	240 kg/529 lbs
Pad adjustment	+/-15°

### Dimensions

Overall length	1205 mm/47.44 inch
Length 360° radiolucent	805 mm/31.7 inch
Frame length	1052 mm/41.41 inch
Width frame	480 mm/18.89 inch
Width frame including head rest clamp	580 mm/22.83 inch



### schaerer<sup>®</sup> Carbon Spine Frame (CSF) 91600

Basic system includes: carbon frame, head rest clamp including mirror, 2 male and female chest pads, 2 pelvic pads (unisex) and pad holders.

### Accessories

Side rail adapter	91604/91606/91608 91603/91605/91607	Long (25x10 mm/30x10 mm/US), or: Short (25x10 mm/30x10 mm/US)
DORO <sup>®</sup> base unit, radiolucent	303100	To be mounted on side rail
DORO <sup>®</sup> base unit aluminum	300100	To be mounted on head rest clamp interface
schaerer <sup>®</sup> arm rests	90520/90521	To be mounted on side rail



*schaerer<sup>®</sup> Carbon Spine Frame with DORO<sup>®</sup> base unit, radiolucent*



*schaerer<sup>®</sup> Carbon Spine Frame with DORO<sup>®</sup> base unit aluminum*



*schaerer<sup>®</sup> Carbon Spine Frame with side rail adapter short*

**Schaerer Medical AG**

Erlenauweg 17  
CH-3110 Münsingen  
Tel. +41 31 720 22 00  
Fax +41 31 720 22 30  
info@schaerermedical.ch  
www.schaerermedical.ch

**Schaerer Medical USA Inc.**

675 Wilmer Ave  
Cincinnati, OH 45226  
Tel. +1 513 561 2241  
Fax +1 513 561 0195  
info@schaerermedicalusa.com  
www.schaerermedicalusa.com