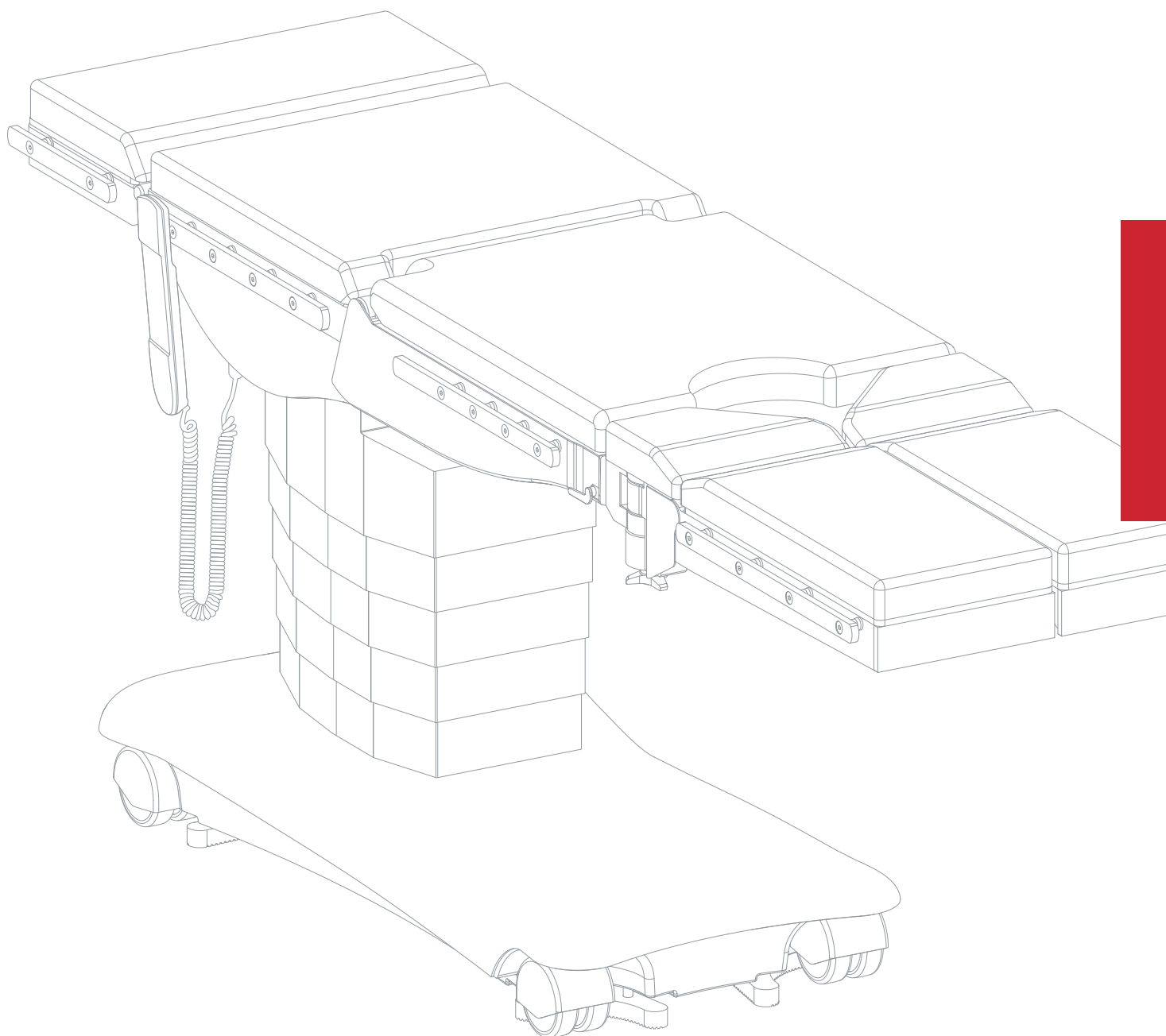


schaerer® arcus

501/601/701



MOBILE OPERATING TABLES FOR ALL WEIGHT
CATEGORIES AND SURGICAL APPLICATIONS



Medical products and solutions made in Switzerland

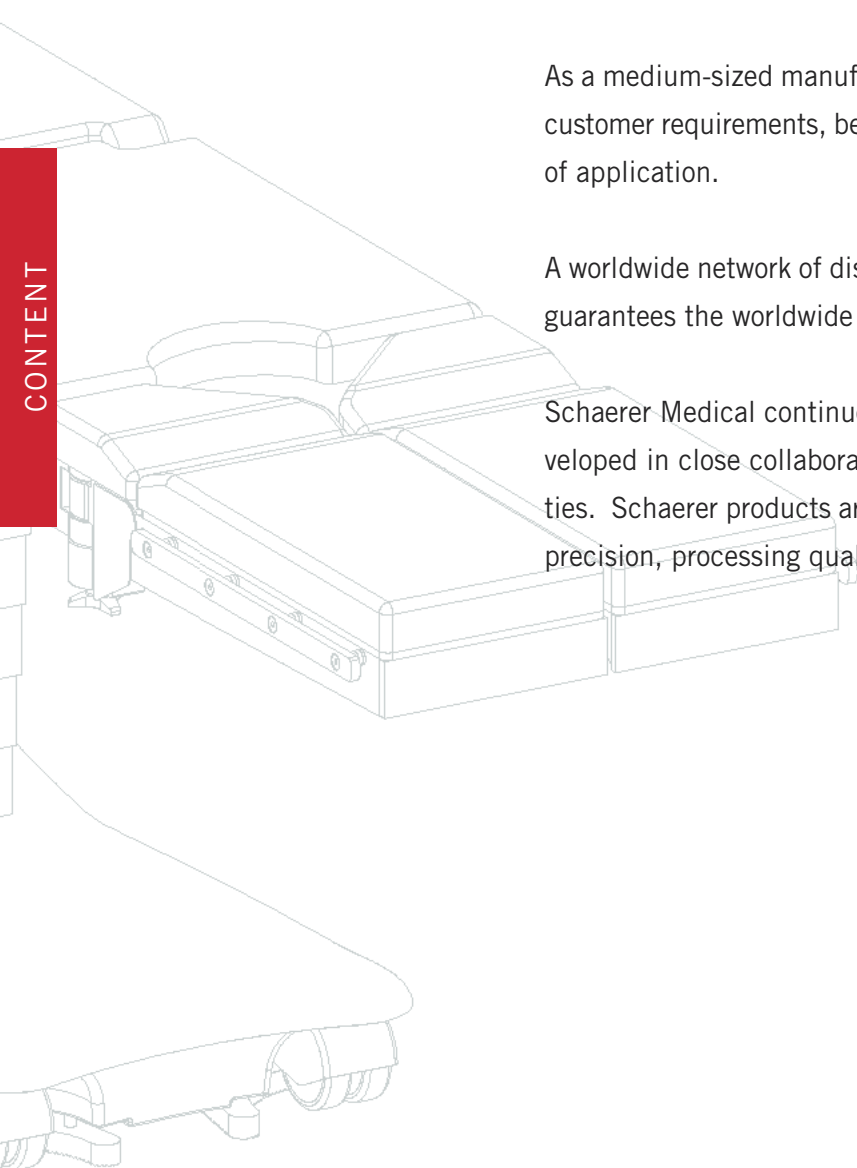
Schaerer Medical AG as a traditional Swiss company is a worldwide leading manufacturer of mobile operating tables, medical accessories and custom made accessories for all surgical disciplines.

Since 1892 Schaerer Medical has been developing high-grade operating room tables, manufacturing them exclusively in Switzerland.

As a medium-sized manufacturer we can react flexibly and quickly to special customer requirements, being able to provide individual solutions for all fields of application.

A worldwide network of distributors and service-partners in over 75 countries guarantees the worldwide distribution as well as first class service on site.

Schaerer Medical continuously invests in innovative products, which are developed in close collaboration with leading surgeons and medical personalities. Schaerer products are known all over the world and stand for maximum precision, processing quality and a long service life.



schaerer® arcus

Mobile operating tables for peak performance under maximum load



schaerer® arcus
Mobile operating table with
heavy weight - function

DEVELOPED from practice

BROUGHT TO PERFECTION for the patients

schaerer® arcus
the new standard
for mobile operating tables

EASY to handle

FLEXIBLE for the surgeon

SAFE for the user

CHARACTERISTICS



OUR TEAM FOR YOUR TEAM

schaerer® arcus
...you can expect more...

E· MAXIMUM CAPACITY

Patient weight up to 500 kg / 1100 lbs*

E· MAXIMUM HEIGHT ADJUSTMENT

Column range 595 mm - 1200 mm

E· MAXIMUM ACCESSIBILITY

Eccentric column for 1250 mm X-ray window < 500 kg / 1100 lbs

E· MAXIMUM SAFETY

Backup design for batteries, motor pump and control

E· MAXIMUM PATIENT COMFORT

Accurate and smooth motion, pads for decubitus prevention

E· MAXIMUM STABILITY

Self compensating dynamic floorlock system

E· MAXIMUM FLEXIBILITY

Mobile operating table for all surgical disciplines

E· MAXIMUM QUALITY

Swiss precision wherever you operate since 1892



*standard configuration, static mode, lowest position

schaerer® arcus Models



schaerer® arcus 501

The versatile basic model with one electro hydraulic powered table top flex point. Head and leg plates are manually adjustable.



schaerer® arcus 601

The convenient one with two electro hydraulic powered table top flex points. Leg plates in basic position are adjustable motor driven or manually.



schaerer® arcus 701

The basic model for orthopaedics and traumatology. Table top consisting of head and back plate and one electro hydraulic powered table top flex point.

CHARACTERISTICS

**PATIENT WEIGHT ALL POSITIONS,
DYNAMIC MODE 360 KG / 800 LBS**



↑ 1200 mm

**MAXIMUM HEIGHT ADJUSTMENT RANGE
595MM - 1200MM**
working at the highest level on the lowest position



↓ 595 mm

schaerer® arcus
Mobile universal operating table

MAXIMUM ACCESSIBILITY
ECCENTRIC COLUMN AND UNLIMITED ACCESS



Highest freedom of movement, including C-arm access without any additional manipulation, even when using extension modules



CHARACTERISTICS



**MAXIMUM SAFETY
BACKUP DESIGN**

2 units consisting of batteries, motor pump and control unit.



**MAXIMUM COMFORT
FOR THE PATIENT**

Safety for patients even during longer interventions. By increasing the contact surface compared to conventional padding, the new pads allow a significant pressure reduction for decubitus prevention.



Picture shows optional ABS base cover

- View with table extension**
- 92038 Table extension**
with side rails 25 x 10 mm
- 92031 Table extension**
with side rails 30 x 10 mm

Product options



Basic position

All models can be optionally equipped with the depicted head and leg plates.

CHARACTERISTICS



92053 Leg plates, 2-part

With side rail 25 x 10 mm.

92054 Leg plates, 2-part

With side rail 30 x 10 mm.

Standard leg plates, consisting of 2 small and 2 large leg plate pads.

Tilting up and down with gas-lift spring assistance. Swivelling outwards 90°.



92049 Leg plate, one piece, rigid

With side rails 25 x 10 mm. With pad.

92062 Leg plate, one piece, rigid

With side rails 30 x 10 mm. With pad.



92050 Leg plate, one piece tilting up and down

With side rails 25 x 10 mm. With pad.

92064 Leg plate, one piece tilting up and down

With side rails 30 x 10 mm. With pad.

Continuous adjustments with gas-lift spring assistance.

Product characteristics



Reverse position
All models can be optionally equipped with the depicted head and leg plates.



92210 Head rest standard, tilting up and down
With side rails 25 x 10 mm.
92310 Head rest standard, tilting up and down
With side rails 30 x 10 mm.
Standard head rest for the models schaeerer® arcus. Length: 300 mm. Continuous adjustment with gas-lift spring assistance.



92211 Head rest double joint, tilting up and down
With side rails 25 x 10 mm.
92311 Head rest double joint, tilting up and down
With side rails 30 x 10 mm.
Head rest for the models schaeerer® arcus. Length: 300 mm. Continuous adjustment with gas-lift spring assistance.



92231 Intermediate plate, long
With side rails 25 x 10 mm.
92331 Intermediate plate, long
With side rails 30 x 10 mm.
Rigid version. With pad.
Length: 450 mm



92232 Intermediate plate, short
With side rails 25 x 10 mm.
92332 Intermediate plate, short
With side rails 30 x 10 mm.
Rigid version. With pad.
Length: 230 mm

**Maximum open space for C-arm utilisation
in the basic position**



Basic position

APPLICATIONS

**Maximum open space for C-arm utilisation
in the reverse position**



Reverse position
with carbon plate for 1550 mm X-ray window (1350 mm 3D).

General Surgery



Positioning for abdominal intervention,
dynamic patient weight capacity 360 kg / 800 lbs*.



Positioning for hand surgery with hand surgery plate
without floor support, dynamic patient weight
capacity 360 kg / 800 lbs*.

*all positions, dynamic mode

Gynaecology / Urology / Laparoscopy



Gynaecological, urological and laparoscopic interventions with leg holders «Great white platinum», patient weight capacity 360 kg / 800 lbs*. Bariatric Nissen straps for thighs recommended.



Gynaecological and urological intervention with leg holders «Goepel» for flat and lithotomic positions, dynamic patient weight capacity 360 kg / 800 lbs*.



Side positioning for nephrectomy, XLIF, dynamic patient weight capacity 360 kg / 800 lbs*.

*all positions, dynamic mode

Neuro / Spine Surgery



Spinal intervention in prone position on
schaerer® Carbon Spine Frame (CSF).



Spinal intervention in prone position
on SchureSpine Frame.
Table top height 450 mm.



Intervention in supine position with original DORO®
accessories (radiolucent).

Shoulder Surgery



Arthroscopic shoulder interventions, beach chair off the column position with SAPL shoulder plate and head rest, radiolucent.



Shoulder intervention with orthopaedic seat plate, intermediate plate and facial / occipital head rest, beach chair position.



Shoulder interventions with MIS seat plate, beach chair position.

Orthopaedic and Traumatological Surgery
schaerer® MIS-Extension



schaerer® MIS-Extension – orthopaedic-traumatologic support and positioning system with extension device offering full freedom of movement for the lower extremity. Can be operated with one hand only. Specially developed for minimally invasive surgery and hip arthroscopy.



Basic MIS Combo for lower extremity trauma interventions with orthopaedic accessory traction bar (see page 21).

Orthopaedic and Traumatological Surgery schaerer® MIS-Extension



The **schaerer® MIS-Extension** can easily be attached to the operating tables **schaerer® axis 500/700** or **schaerer® arcus 501/701** by using the trolley. Additionally the trolley assures the correct storage of the system and of the necessary accessories

Orthopaedic and Traumatological Surgery

APPLICATIONS



Intervention in the pelvic area with orthopaedic seat plate and leg plates.



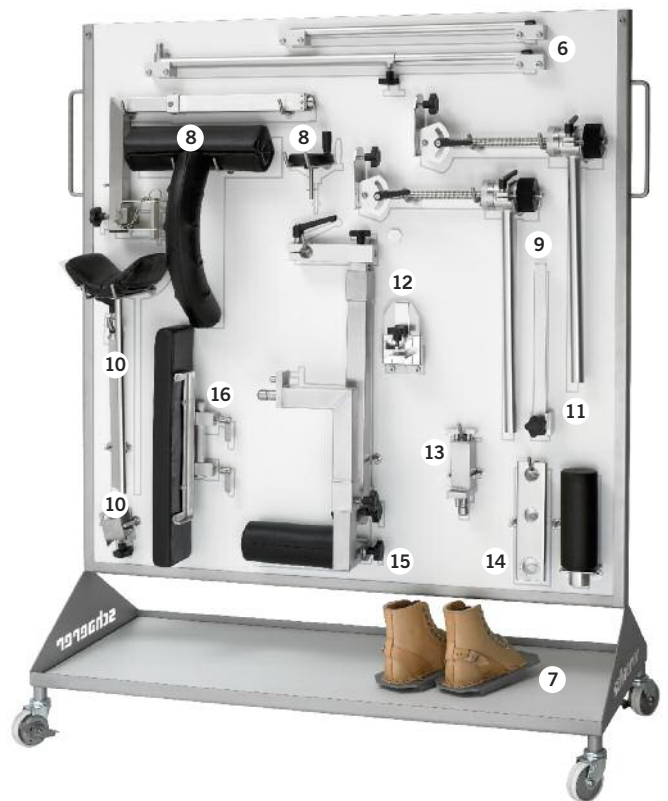
IM-nailing of the femur in lateral position
Extension with traction shoe.



IM-nailing of the femur in lateral position
Extension with horse-shoe holder «Kirschner».

Accessories for Orthopaedic and Traumatological Surgery

The clearly arranged accessories enable interventions for thigh, lower leg and intra-medullary nailing. A special orthopaedic-traumatological operating table is not necessary. Attachable to the models schaeerer® axis 500/700 and schaeerer® arcus 501/701.



- | | | | | | |
|---|--|--------------|----|--|--------------|
| 1 | Traction bar for the femur, metal (1 piece) | 90182 | 8 | Counter-traction holder with pad | 90187 |
| | Traction bar for the femur, metal (pair) | 90183 | 9 | Traction units (order 2 pieces) | 90184 |
| | Traction bar for the femur, carbon-fibre (1 piece, no picture) | 90974 | 10 | OTZ leg holder with pad | 90199 |
| | Multiple fixing clamp for traction bar carbon fibre (no picture) | 90978 | 11 | Side rail extension | |
| 2 | OTZ seat plate for axis | 90919 | | for side rails 25 x 10 mm | 81696 |
| | (in reverse position back plate) with pad 51 mm | | | for side rails 30 x 10 mm | 81695 |
| | OTZ seat plate for arcus with pad 26 mm | 90244 | 12 | Horse-shoe holder «Kirschner» | 90198 |
| 3 | OTZ leg plates (pair) | | 13 | Holder for «Goepel» leg holder | |
| | with side rails 25 x 10 mm | 90410 | | with side rails 25 x 10 mm | 90190 |
| | with side rails 30 x 10 mm | 90409 | | with side rails 30 x 10 mm | 90189 |
| 4 | Leg holder «Goepel» with pad and fixing strap | 90330 | 14 | Perineal rod with pad | 90195 |
| | Radial setting clamp | 90506 | | Holder/lateral | 90194 |
| 5 | Accessories trolley OTZ | | 15 | Traction bar for the lower leg with pad | 90186 |
| | with side rails 25 x 10 mm | 90429 | 16 | axis table extension with pad 69 mm | 90939 |
| | with side rails 30 x 10 mm | 90430 | | (see page 35) | |
| 6 | Telescopic supports | 90193 | 18 | Adapter for traction shoes MIS (no picture) | 90196 |
| 7 | Traction shoes (pair) | 90191 | 17 | Packaging for OTZ accessories trolley (no picture) | 91289 |

Electrical drive unit

Moves the operation table even with heavy weight patients comfortably without physical effort. Two speeds forward and one backwards give optimum drive for long and short distances or narrow areas.



FAST SPEED

Pressing two buttons at one time initiates the fast speed.



SLOW SPEED

Pressing one direction button initiates the slow speed for manoeuvres in narrow areas and keeping one hand free, or carrying additional items (i.e. infusion stands on wheels).



Digital Integration - OR1

All our schaeerer® arcus operating tables can be equipped with a digital integration feature. A central command unit (KARL STORZ OR1™) allows control of the table together with other items such as lamps, cameras, etc. in a realistic user interface.



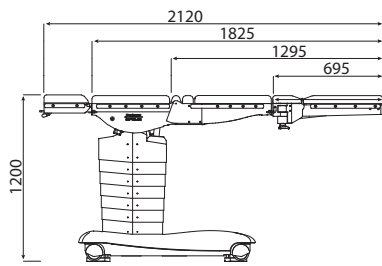
Product characteristics

schaerer® arcus	501	601	701	unit
Table top outside of column	1250 / 49.2	1250 / 49.2	-	mm / inch
Maximum patient weight*	500 / 1100	500 / 1100	500 / 1100	kg / lbs
Maximum patient weight all positions**	360 / 800	360 / 800	360 / 800	kg / lbs
Height adjustment with patient weight up to 260 kg (top edge pad, locked table)	595 - 1200 / 23.4 - 47.2	595 - 1200 / 23.4 - 47.2	595 - 1200 / 23.4 - 47.2	mm / inch
Height adjustment with patient weight over 260 kg (top edge pad, locked table)	595 - 1000 / 23.4 - 39.4	595 - 1000 / 23.4 - 39.4	595 - 1000 / 23.4 - 39.4	mm / inch
Weight without head and leg plates	300 / 660	310 / 680	290 / 638	kg / lbs
Length without head and leg plates	1130 / 44.5	1130 / 44.5		mm / inch
Length with head and leg plates	2120 / 83.5	2120 / 83.5		mm / inch
Length without head plate			695 / 27.4	mm / inch
Length with head plate			990 / 39.0	mm / inch
Width of table top	520 / 20.5	520 / 20.5	520 / 20.5	mm / inch
Total width (with side rails)	580 / 22.8	580 / 22.8	580 / 22.8	mm / inch
Width with lateral table extension	880 / 34.6	880 / 34.6	880 / 34.6	mm / inch
Trendelenburg / reverse Trendelenburg	30	30	30	degree
Lateral tilting right/left	20	20	20	degree
Seat plate up	65	65	65	degree
Seat plate down	40	40	40	degree
Motorised leg plate up	-	80	-	degree
Motorised leg plate down	-	100	-	degree

*standard configuration, static mode, lowest position **all positions, dynamic mode

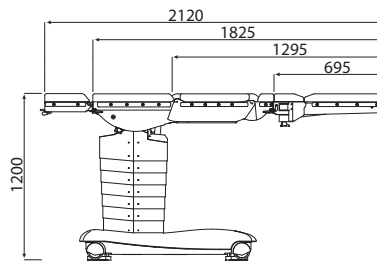
Product dimensions

schaerer® arcus 501

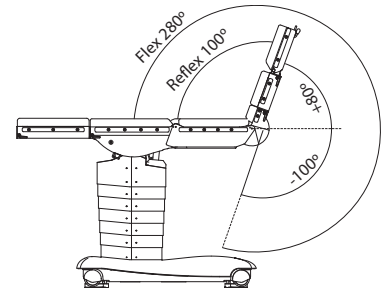


schaerer® arcus 501

schaerer® arcus 601

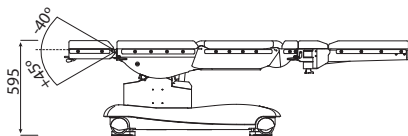


schaerer® arcus 601

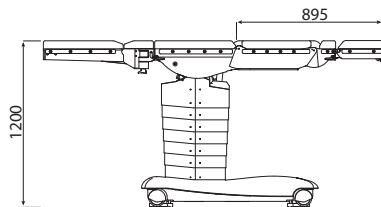


schaerer® arcus 601
Head or Leg Section up/down,
second motorized axis

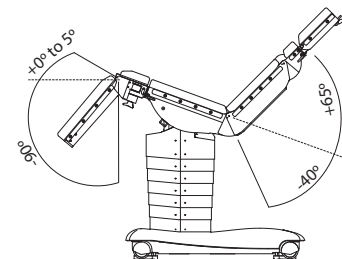
schaerer® arcus 501/601



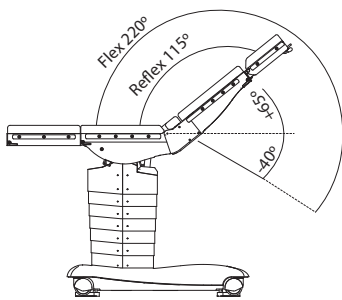
schaerer® arcus 501/601



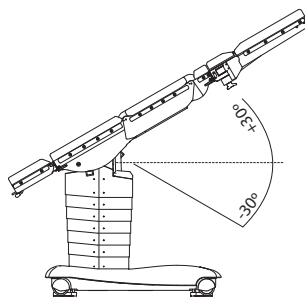
schaerer® arcus 501/601
Reverse-Position



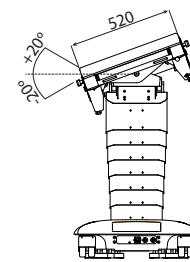
schaerer® arcus 501/601
Beach-Chair-Position



schaerer® arcus 501/601
Flex/Reflex-Position



schaerer® arcus 501/601
Trendelenburg/Reverse-Trendelenburg



schaerer® arcus 501/601
Lateral tilt left/right

Schaerer Medical AG

Erlenauweg 17

CH-3110 Münsingen

Tel. +41 31 720 22 00

Fax +41 31 720 22 30

info@schaerermedical.ch

www.schaerermedical.ch